

FN1-056XX0SGW Range

0.56" (14.2 mm) Single Digit 7 Segment Display



Features:

- High segment intensity
- Range of colours
- Grey face colour
- White diffused segment in off-state
- Ideal for use in applications requiring the display of high definition numeric digits:
 - ❑ Audio equipment
 - ❑ Domestic appliances
 - ❑ Digital clocks



Contents:

- Electro / Optical Characteristics - Page 2
- Maximum Rated Values - Page 2
- Package Outline and Diagrams - Page 3

FN1-056XX0SGW Range

0.56" (14.2 mm) Single Digit 7 Segment Display



Electro / Optical Characteristics $I_F = 20\text{mA}$, $T_a = 25^\circ\text{C}$

Part Number		Emitting Colour	Wavelength		Forward Voltage		Luminous Intensity, I_v	
Common Cathode	Common Anode		Peak	Dom	Typ	Max	Min	Typ
FN1-0561R340SGW	FN1-0562R340SGW	Red	~	640	1.90	2.30	~	30
FN1-056120SGW	FN1-056220SGW	Green	568	~	2.10	2.50	~	11
FN1-0561Y0530SGW	FN1-0562Y0530SGW	Yellow	591	~	2.05	2.40	~	37
FN1-0561B350SGW	FN1-0562B350SGW	Blue	~	460	3.30	3.70	~	15
FN1-0561B230SGW ♦	FN1-0562B230SGW ♦	Blue	~	470	3.20	3.70	~	20
Units			nm		V		mcd / seg	

♦ Available from Farnell/element14

Maximum Rated Values $T_a = 25^\circ\text{C}$ (Derate Above 25°C)

Characteristic	Condition	Symbol	Rating	Units
Pulse Forward Current	0.1 duty cycle @ 1kHz	I_{FP}	100	mA
DC Forward Current		I_F	25	mA
Reverse Voltage	$I_R = 10\mu\text{A}$	V_R	5	V
Operating Temperature		T_{opr}	-25 to +80	$^\circ\text{C}$
Storage Temperature		T_{stg}	-30 to +85	$^\circ\text{C}$
Lead Soldering Temperature	1.6mm from body - max 3 seconds		260	$^\circ\text{C}$

Note

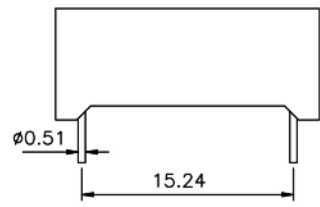
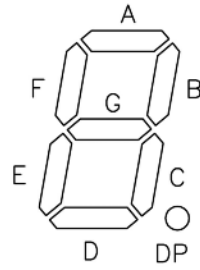
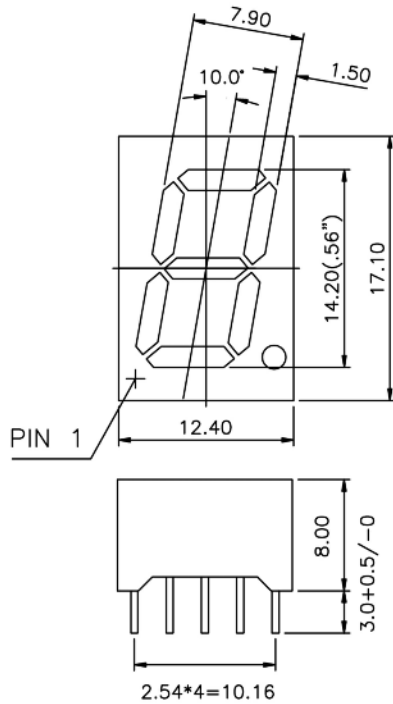
Industry standard procedures regarding static must be observed when handling product produced with blue die material.

FN1-056XX0SGW Range

0.56" (14.2 mm) Single Digit 7 Segment Display



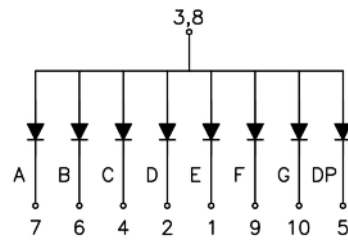
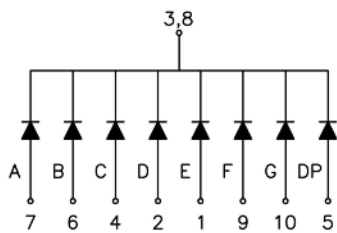
Package Outline and Diagrams



Tolerance ± 0.25 mm unless stated

Common Cathode

Common Anode



Disclaimer

No representation, warranty, responsibility or liability is or will be accepted by Forge Europa Limited in relation to the accuracy or completeness of any information it provides. It is the responsibility of the customer to verify the suitability of the product for its application. All design work supplied by Forge Europa Limited is to be assumed confidential and is the sole property of Forge Europa Limited. It must not be used, copied or disclosed to any third party without the prior written consent of Forge Europa Limited. All contracts are subject to Forge Europa Limited's General Terms and Conditions of Trading which can be found at www.forge-europa.co.uk. E&OE