

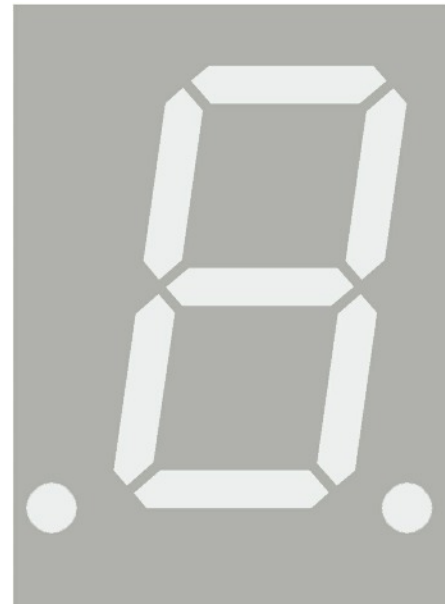
FN1-080XX0SGW Range

0.80" (20 mm) RH D.P. Single Digit 7 Segment Display



Features:

- Right hand decimal point
- High segment intensity
- Grey face colour
- White diffused segment in off-state
- Ideal for use in applications requiring the display of high definition numeric digits:
 - ❑ Audio equipment
 - ❑ Domestic appliances
 - ❑ Digital clocks



Contents:

- Electro / Optical Characteristics - Page 2
- Maximum Rated Values - Page 2
- Package Outline and Diagrams - Page 3

FN1-080XX0SGW Range

0.80" (20 mm) RH D.P. Single Digit 7 Segment Display



Electro / Optical Characteristics $I_F = 20\text{mA}$, $T_a = 25^\circ\text{C}$

| Part Number | | Emitting Colour | Wavelength | | Forward Voltage | | Luminous Intensity, lv | |
|-------------------|-------------------|-----------------|------------|-----|-----------------|------|------------------------|-----|
| Common Cathode | Common Anode | | Peak | Dom | Typ | Max | Min | Typ |
| FN1-0801R340SGW | FN1-0802R340SGW | Red | ~ | 640 | 1.90 | 2.30 | ~ | 80 |
| FN1-080120SGW | FN1-080220SGW | Green | 568 | ~ | 2.10 | 2.50 | ~ | 13 |
| FN1-0801Y0530SGW | FN1-0802Y0530SGW | Yellow | 591 | ~ | 2.05 | 2.40 | ~ | 42 |
| FN1-0801B350SGW | FN1-0802B350SGW | Blue | ~ | 460 | 3.30 | 3.70 | ~ | 28 |
| FN1-0801B230SGW ♦ | FN1-0802B230SGW ♦ | Blue | ~ | 470 | 3.20 | 3.70 | ~ | 28 |
| Units | | | nm | | V | | mcd / seg | |

♦ Available from Farnell/element14

Maximum Rated Values $T_a = 25^\circ\text{C}$ (Derate Above 25°C)

| Characteristic | Condition | Symbol | Rating | Units |
|----------------------------|---------------------------------|-----------|------------|------------------|
| Pulse Forward Current | 0.1 duty cycle @ 1kHz | I_{FP} | 100 | mA |
| DC Forward Current | | I_F | 25 | mA |
| Reverse Voltage | $I_R = 10\mu\text{A}$ | V_R | 5 | V |
| Operating Temperature | | T_{opr} | -25 to +80 | $^\circ\text{C}$ |
| Storage Temperature | | T_{stg} | -30 to +85 | $^\circ\text{C}$ |
| Lead Soldering Temperature | 1.6mm from body - max 3 seconds | | 260 | $^\circ\text{C}$ |

Note

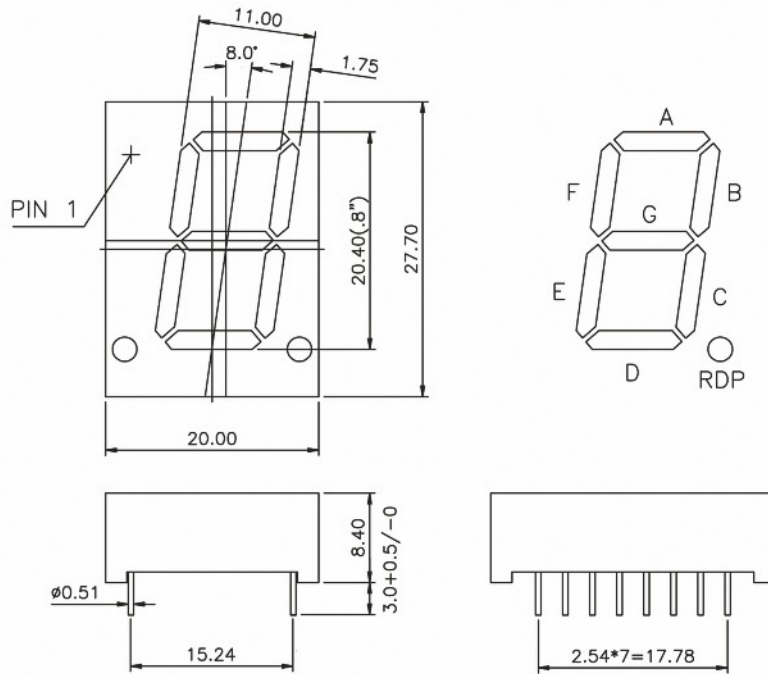
Industry standard procedures regarding static must be observed when handling product produced with blue die material.

FN1-080XX0SGW Range

0.80" (20 mm) RH D.P. Single Digit 7 Segment Display



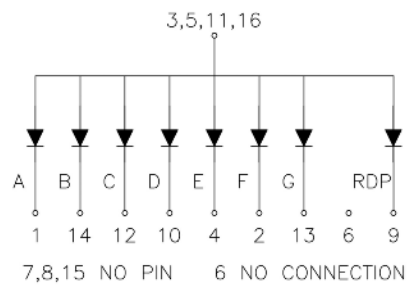
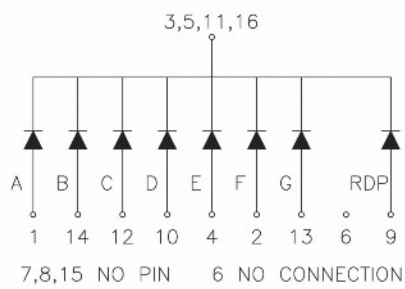
Package Outline and Diagrams



Tolerance ± 0.25 mm unless stated

Common Cathode

Common Anode



Disclaimer

No representation, warranty, responsibility or liability is or will be accepted by Forge Europa Limited in relation to the accuracy or completeness of any information it provides. It is the responsibility of the customer to verify the suitability of the product for its application. All design work supplied by Forge Europa Limited is to be assumed confidential and is the sole property of Forge Europa Limited. It must not be used, copied or disclosed to any third party without the prior written consent of Forge Europa Limited. All contracts are subject to Forge Europa Limited's General Terms and Conditions of Trading which can be found at www.forge-europa.co.uk. E&OE