

## Features:

- High segment intensity
- Wide viewing angle
- Range of colours
- Grey face colour
- White segment colour

## Available options:

- Alternative face and segment colour
- Alternative font
- Cropped terminal pins
- Alternative emitting colour
- Low current version

## Font design

Product not shown  
actual size



## Electro / Optical Characteristics - $I_F = 20 \text{ mA}$ ( \* HE Blue - $I_F = 10 \text{ mA}$ ) $T_a = 25^\circ \text{ C}$

Part Number Common Cathode	Part Number Common Anode	Emitting Colour	Wavelength Peak $\lambda_P$	Segment Fwd Voltage $V_F$		Luminous Intensity $I_V$	
				typical	max	min	typical
FN1-1021L00GW	FN1-1022L00GW	GaAlAs Red	660	3.70	4.00	-	60
FN1-1021300GW	FN1-1022300GW	HE Red	640	4.10	5.00	-	15
FN1-1021Y05300GW	FN1-1022Y05300GW	Yellow	591	4.10	4.80	-	90
FN1-1021200GW	FN1-1022200GW	Green	568	4.20	5.00	-	28
FN1-1021B0500GW	FN1-1022B0500GW	* HE Blue	465	7.40	8.00	-	20
FN1-1021B0100GW	FN1-1022B0100GW	Blue	428	7.60	9.00	-	12
Units			nm	V		mcd / seg. (digit average)	

## Maximum Ratings $T_a = 25^\circ \text{ C}$ - Derate above $25^\circ \text{ C}$

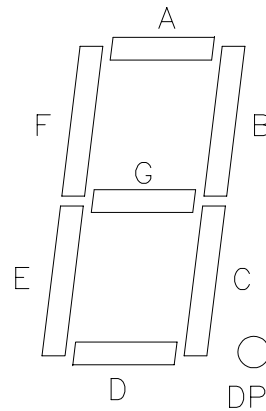
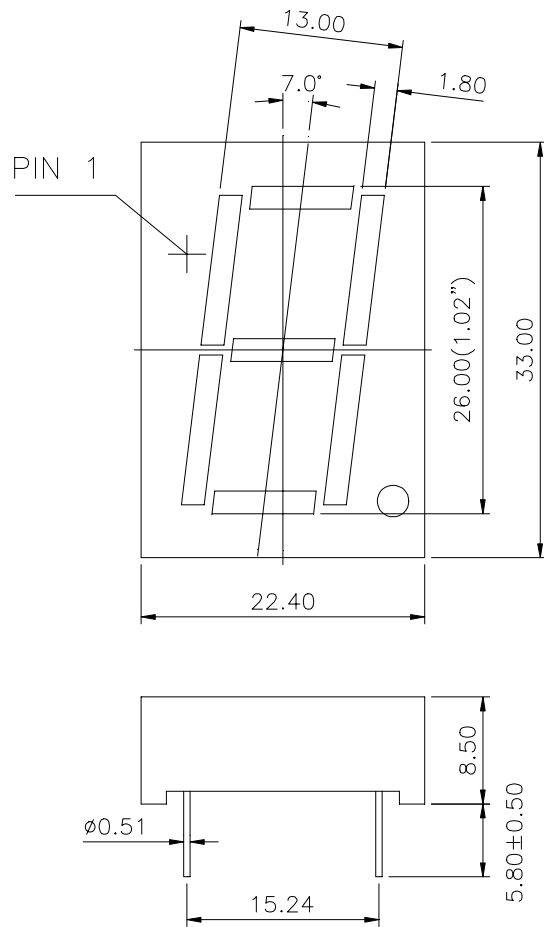
Characteristic	Condition	Symbol	Rating	Units
Pulse Forward Current	0.1 duty cycle @ 1KHz ( HE Blue )	$I_{FP}$	100 (35)	mA
DC Forward Current	( HE Blue )	$I_F$	25 (15)	mA
Reverse Voltage	$I_R = 10 \mu\text{A}$	$V_R$	5	V
Operating Temperature		$T_{opr}$	- 25 to + 80	$^\circ \text{ C}$
Storage Temperature		$T_{stg}$	- 30 to + 85	$^\circ \text{ C}$
Lead soldering temperature	1.6 mm from body - max 3 seconds		260	$^\circ \text{ C}$

## Note

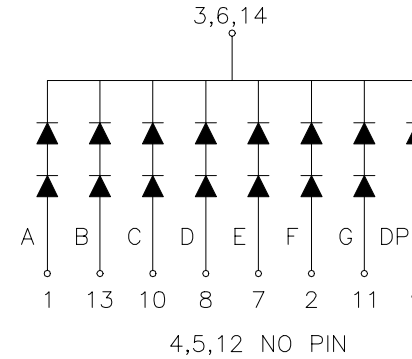
Industry standard procedures regarding static must be observed when handling product produced with blue die material.



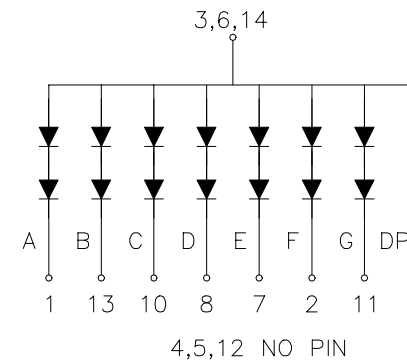
## Package Outline



## Common Cathode



## Common Anode



Tolerance  $\pm 0.25$  mm unless stated



Forge Limited The Old Railway, Princes Street, Ulverston, Cumbria, LA12 7NQ United Kingdom.  
 Tel: +44 (0)1229 580000. Email: info@forge-europa.co.uk Website: www.forge-europa.co.uk

No representation, warranty, responsibility or liability is or will be accepted by Forge Europa Limited in relation to the accuracy or completeness of any information it provides. It is the responsibility of the customer to verify the suitability of the product for its application. All design work supplied by Forge Europa Limited is to be assumed confidential and is the sole property of Forge Europa Limited. It must not be used, copied or disclosed to any third party without the prior written consent of Forge Europa Limited. All contracts are subject to Forge Europa Limited's General Terms and Conditions of Trading which can be found at [www.forge-europa.co.uk](http://www.forge-europa.co.uk)