

Features:

- High segment intensity
- Wide viewing angle
- Range of colours
- Grey face colour
- White segment colour

Available options:

- Alternative face and segment colour
- Alternative font
- Cropped terminal pins
- Alternative emitting colour
- Low current version

Font design

Product not shown
actual size



Electro / Optical Characteristics

I_F = 40 mA / segment	20 mA DP	T_a = 25° C
*HE Blue	I_F = 20 mA / segment	10 mA DP
		T_a = 25° C

Part Number Common Cathode	Part Number Common Anode	Emitting Colour	Wavelength Peak λ_p	Segment Fwd Voltage V _F		Luminous Intensity I _v	
				typical	max	min	typical
FN1-4001L08GW	FN1-4002L08GW	GaAlAs Red	660	7.40	8.00	-	272
FN1-4001308GW	FN1-4002308GW	HE Red	640	8.20	10.00	-	68
FN1-4001R07708GW	FN1-4002R07708GW	AlGaInP Red	632	8.00	9.60		800
FN1-4001Y05308GW	FN1-4002Y05308GW	Yellow	591	8.20	9.60	-	408
FN1-4001208GW	FN1-4002208GW	Green	568	8.40	10.00	-	122
FN1-4001B0508GW	FN1-4002B0508GW	* HE Blue	465	14.80	16.50	-	88
FN1-4001B0108GW	FN1-4002B0108GW	Blue	428	15.20	18.00	-	54
Units			nm	V		mcd / seg. (digit average)	

Maximum Ratings / segment T_a = 25° C - Derate above 25° C

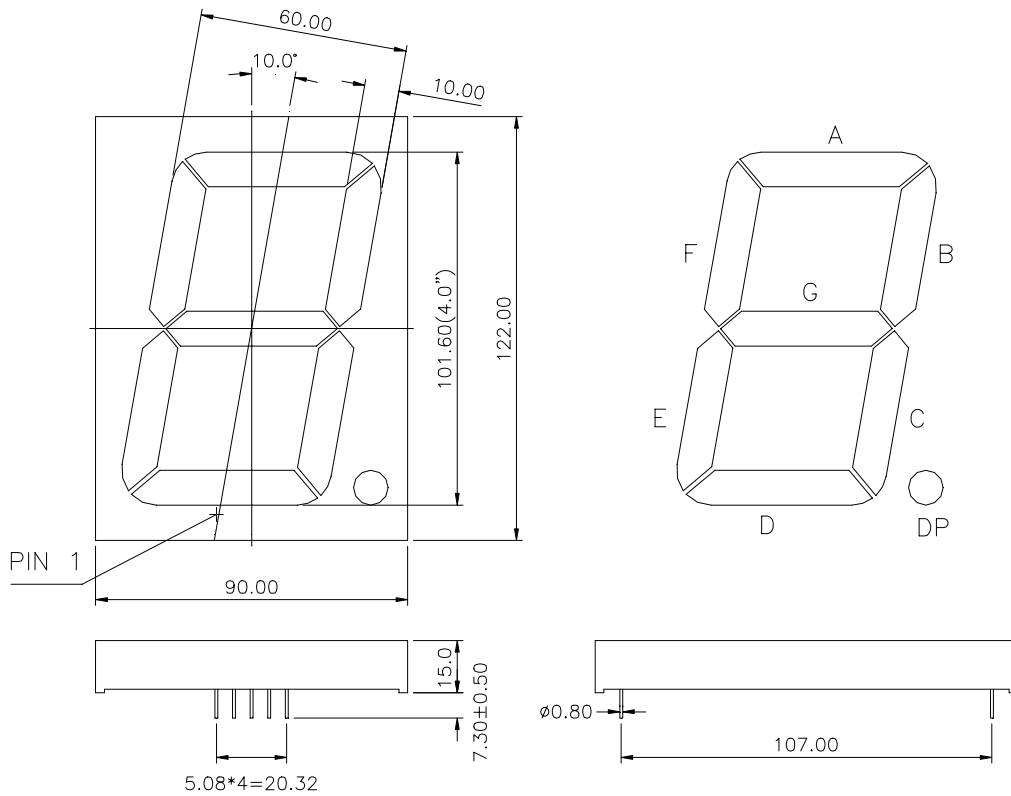
Characteristic	Condition	Symbol	Rating	Units
Pulse Forward Current	0.1 duty cycle @ 1KHz (HE Blue)	I _{FP}	200 (70)	mA
DC Forward Current	(HE Blue)	I _F	50 (30)	mA
Reverse Voltage	I _R = 10 μ A	V _R	5	V
Operating Temperature		T _{opr}	- 25 to + 80	° C
Storage Temperature		T _{stg}	- 30 to + 85	° C
Lead soldering temperature	1.6 mm from body - max 3 seconds		260	° C

Note

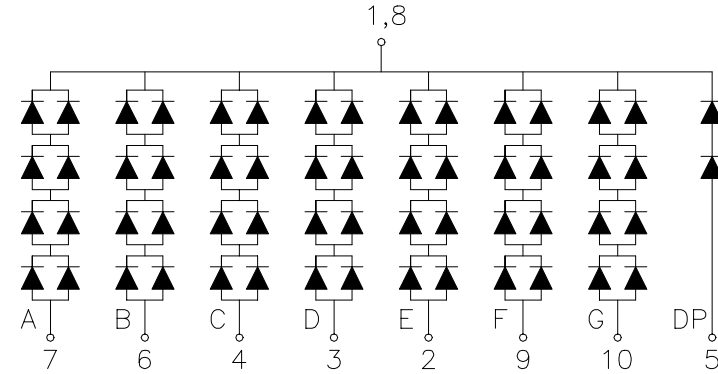
Industry standard procedures regarding static must be observed when handling product produced with blue die material.



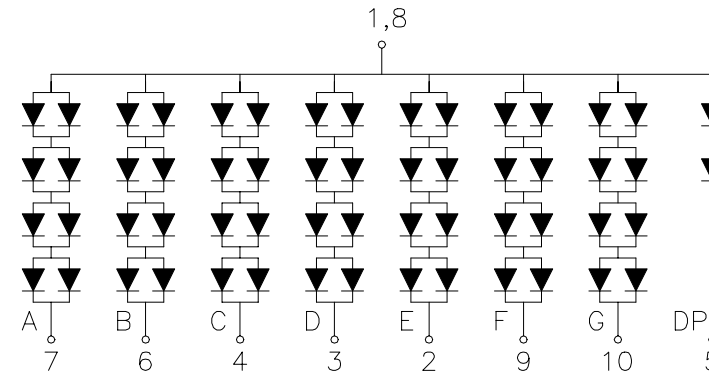
Package Outline



Common Cathode



Common Anode



Tolerance ± 0.25 mm unless stated



Forge Limited The Old Railway, Princes Street, Ulverston, Cumbria, LA12 7NQ United Kingdom.
 Tel: +44 (0)1229 580000. Email: info@forge-europa.co.uk Website: www.forge-europa.co.uk

No representation, warranty, responsibility or liability is or will be accepted by Forge Europa Limited in relation to the accuracy or completeness of any information it provides. It is the responsibility of the customer to verify the suitability of the product for its application. All design work supplied by Forge Europa Limited is to be assumed confidential and is the sole property of Forge Europa Limited. It must not be used, copied or disclosed to any third party without the prior written consent of Forge Europa Limited. All contracts are subject to Forge Europa Limited's General Terms and Conditions of Trading which can be found at www.forge-europa.co.uk