



flexiLED

- the ultimate flexibility





contents

CUSTOMISE	4
– high tack adhesive	4
– add your logo	4
– solder pads	5
– sizes	5
– RGBW	5
– tunable white	5
– colour temperature	6
– colour binning	6
– cut & prewired	7
– colour rendition	7
– get connected	7
– mechanical format	8
– profile kits	9
CREATE YOUR OWN	10
– selection guide	11
STANDARD PRODUCTS	12
– flat white	13
– skinny dome & dome	14
– iced & iced xtra	16
– iced ultra	18



flexiLED

flexiLED offers a simple, long life and cost effective solution for a vast number of applications where subtle but amazing lighting effects are required.

Offering the ideal LED solution for:

- accent lighting
- signage
- backlighting
- decorative installations
- edge lighting
- vending and gaming applications

flexiLED also provides an optimal solution when creating visually stunning, contemporary luminaires.

The product is built to the highest quality, using high performance, and high efficacy mid power LEDs.

Focused on market needs and available in the warmest of colour temperature, the highest CRI, exceptional brightness, and the tightest of binning, flexiLED fulfills the toughest specifications. With Forge Europa you can rest assured that any custom solution is within your reach. If you need something specifically tailored to your needs, we have the knowledge to help.

Customise – create your own special blend

What do you want?

Whether you need your own logo printed, a custom tunable white, digital RGB or different solder pads, Forge can cater to your every need.

A customised flexiLED solution could be the answer you're looking for to enhance your lighting application.



high tack adhesive

- in a wet or challenging environment a high tack adhesive backing keeps things in place and negates the need for clips.

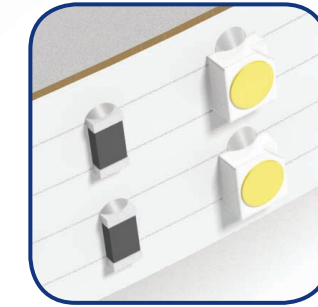
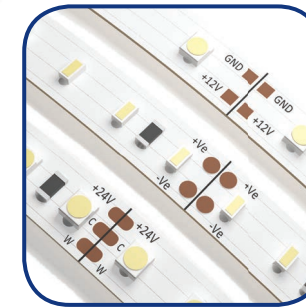
logo

- stamp your name on it and shout about it. A simple and effective way to strengthen your brand.



solder pads

- enjoy greater flexibility with custom solder pads that make connectivity even easier than before.



sizes

- Go ultra slim or twice as wide to create exactly what you need.



tunable white

- create mood lighting, simulate daylight, enhance your interior design and support human centric lighting with tunable white flexible LED.

Customise – create your own special blend

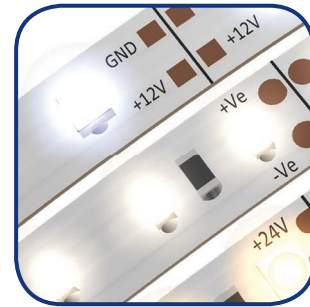
...really really want?

Maybe you really want your strip cut and pre-wired, fitted with a connector, or particularly high CRI LED for retail applications.

It is all possible with Forge, all we need to know is what you really really want!

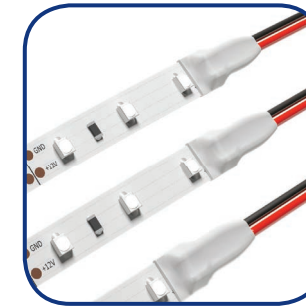
colour temperature

– from extremely warm to super cool, colour temperature is everything when creating exceptional lighting.



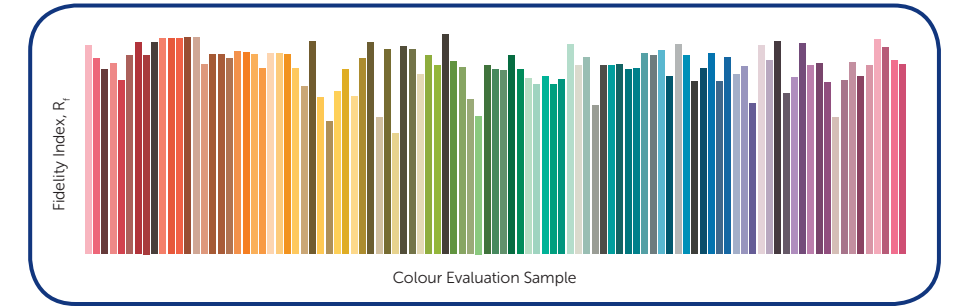
cut & prewired

– take the hassle out of cutting & preparing and let us do the work.



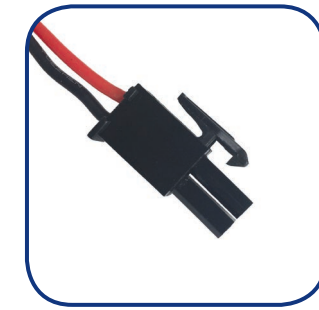
colour rendition

– get premium quality of light with high R9 value.



colour binning

– as tight as 1-Step MacAdam ellipse binning for greater colour consistency and a high end finish.



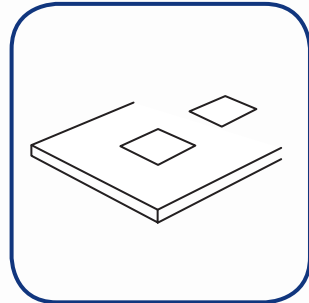
get connected

– make installations easy and specify the connector of your choice.

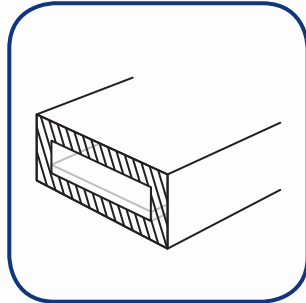
mechanical formats

– a package for every application providing ingress protection from IP20 to IP68

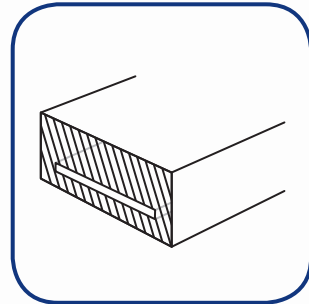
flatwhite



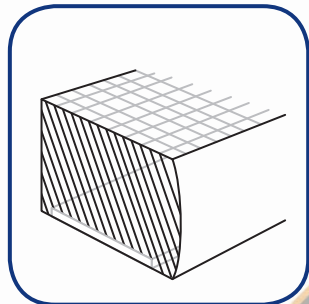
iced



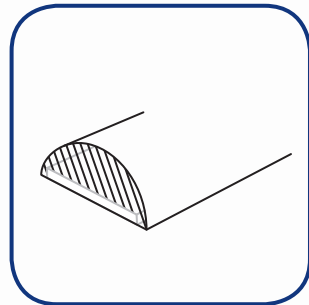
iced xtra



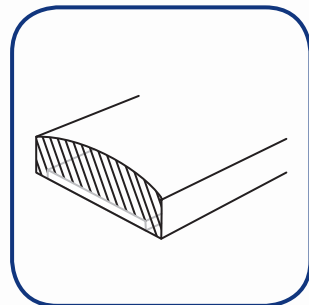
iced ultra



skinny dome



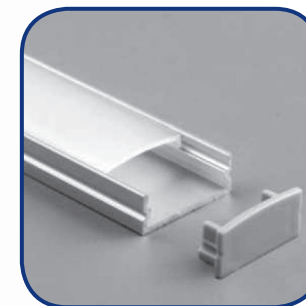
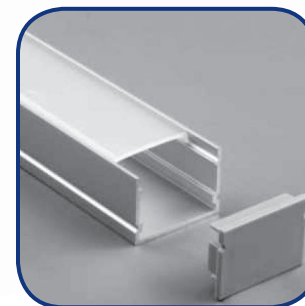
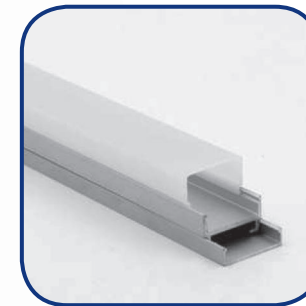
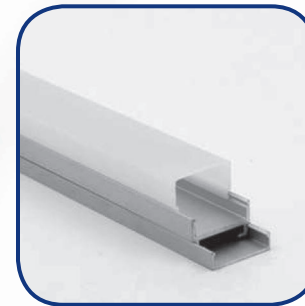
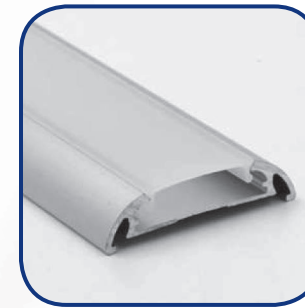
dome



**drawings not to scale*

profile kits

– need something to house your strip, profile kits finish off the installation in style.



Customise – create your own special blend

With over 25 years in the business we know what we are talking about and are ideally placed to help create your very own solution.

Talk to our friendly sales team and tell them what you really really want. We will involve our team of experts and once you're happy with what we've come up with we'll push the button on volume production.

customise

- create your own special blend

one



pick your flavour:
 - colour temperature
 - CRI
 - lumens

two



choose your size:
 - flat white
 - skinny dome
 - dome
 - iced
 - iced xtra
 - iced ultra

three

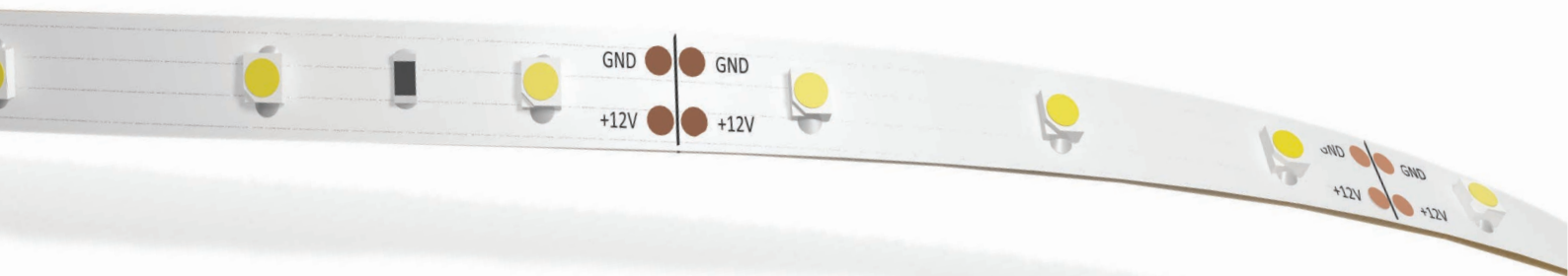


add your extras:
 - custom solder pads
 - wires
 - connectors

four



create your brand:
 - add your logo



creating your own couldn't be simpler and means you get exactly what you want! Forge design, manufacture and deliver, so you can just sit back and relax!

selection guide

- the combinations are endless:

		flat white			skinny dome			dome		
CCT \ CRI		80	90	95	80	90	95	80	90	95
2400K		650	550	490	560	470	420	560	470	420
2700K		880	750	660	760	640	570	760	640	570
3000K		920	780	690	790	670	590	790	670	590
3500K		930	790	700	800	680	600	800	680	600
4000K		1000	850	750	860	730	650	860	730	650
5000K		1050	890		900	770		900	770	
6500K		1050	890		900	770		900	770	
		Lumens/m			Lumens/m			Lumens/m		

		iced			iced xtra			iced ultra
CCT \ CRI		80	90	95	80	90	95	80
2400K		590	500	440	560	470	420	360
2700K		790	670	590	760	640	570	
3000K		830	700	620	790	670	590	400
3500K		840	710	630	800	680	600	
4000K		900	770	680	860	730	650	460
5000K		950	800		900	770		510
6500K		950	800		900	770		
		Lumens/m			Lumens/m			Lumens/m

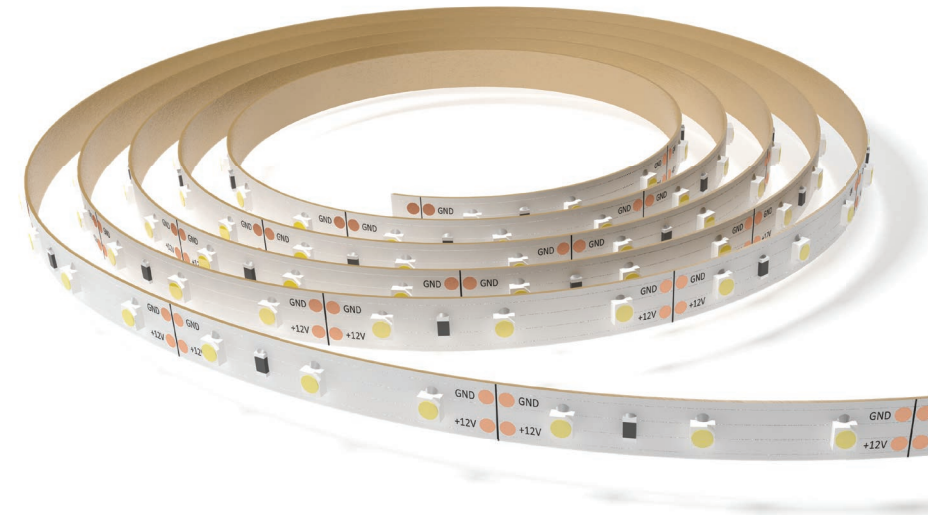
call us now to discuss your special blend

+44 (0)1229 580000

Here are some standard products to get you going.

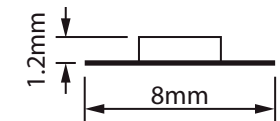
Choose from flexiLED
 flat white
 skinny dome
 dome
 iced
 iced xtra
 iced ultra

flexiLED - flat white



Our IP20 range of LED tape is the ideal cost effective and simple solution when you need to create subtle but effective lighting.

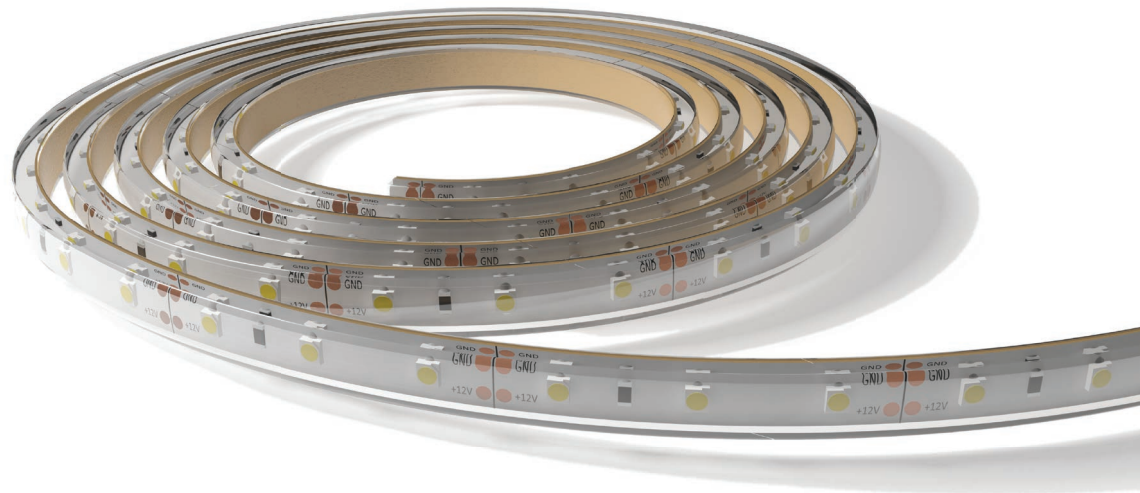
- 8.0mm x 1.2mm
- Up to 1050 lm/m
- 5m length
- IP20
- Available in 2400K – 6500K
- CRI: 80/90/95
- 12V/24V options



Part Number	Colour	CRI	Typ lumens/m	LEDs/m	Voltage Input	W/m	mA/m
FE-LF060NB12-865-N	6500K	80	1050	60	12	9.6	800
FE-LF060NB12-840-N	4000K	80	1000	60	12	9.6	800
FE-LF060NB12-827-N	2700K	80	880	60	12	9.6	800
FE-LF060NB12-965-N	6500K	90	890	60	12	9.6	800
FE-LF060NB12-940-N	4000K	90	850	60	12	9.6	800
FE-LF060NB12-927-N	2700K	90	750	60	12	9.6	800
FE-LF060NB12-U27-N	2700K	95	660	60	12	9.6	800

24V solutions are available; please contact Forge Europa's sales team for more information

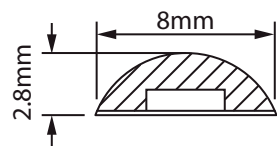
flexiLED - skinny dome & dome



When you need great lighting quickly and effectively and you need something robust, the dome range offers some extra protection.

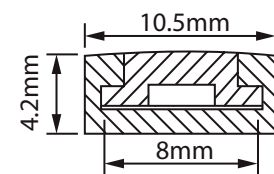
SKINNY DOME

- 8.0mm x 2.8mm
- Up to 900 lm/m
- 5m length
- IP65
- Available 2400K – 6500K
- CRI: 80/90/95
- 12V/24V options



DOME

- 10.5mm x 4.2mm
- Up to 900 lm/m
- 5m length
- IP68
- Available 2400K – 6500K
- CRI: 80/90/95
- 12V/24V options



SKINNY DOME

Part Number	Colour	CRI	Typ lumens/m	LEDs/m	Voltage Input	W/m	mA/m
FE-LF060NB12-865-C	6500K	80	900	60	12	9.6	800
FE-LF060NB12-840-C	4000K	80	860	60	12	9.6	800
FE-LF060NB12-827-C	2700K	80	760	60	12	9.6	800
FE-LF060NB12-965-C	6500K	90	770	60	12	9.6	800
FE-LF060NB12-940-C	4000K	90	730	60	12	9.6	800
FE-LF060NB12-927-C	2700K	90	640	60	12	9.6	800
FE-LF060NB12-U40-C	4000K	95	650	60	12	9.6	800
FE-LF060NB12-U27-C	2700K	95	570	60	12	9.6	800

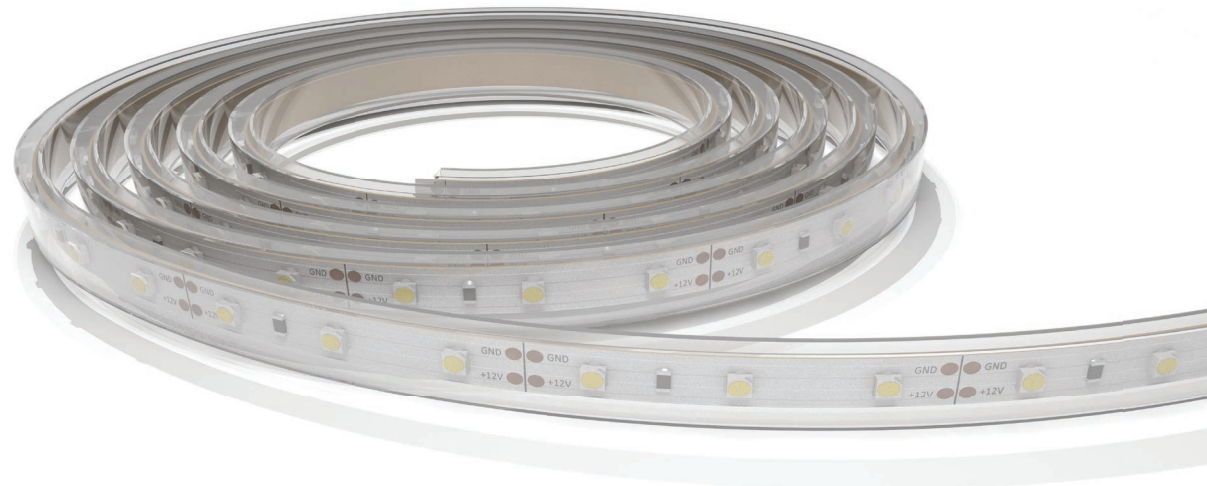
24V solutions are available; please contact Forge Europa's sales team for more information

DOME

Part Number	Colour	CRI	Typ lumens/m	LEDs/m	Voltage Input	W/m	mA/m
FE-LF060NB12-865-P	6500K	80	900	60	12	9.6	800
FE-LF060NB12-840-P	4000K	80	860	60	12	9.6	800
FE-LF060NB12-827-P	2700K	80	760	60	12	9.6	800
FE-LF060NB12-965-P	6500K	90	770	60	12	9.6	800
FE-LF060NB12-940-P	4000K	90	730	60	12	9.6	800
FE-LF060NB12-927-P	2700K	90	640	60	12	9.6	800
FE-LF060NB12-U40-P	4000K	95	650	60	12	9.6	800
FE-LF060NB12-U27-P	2700K	95	570	60	12	9.6	800

24V solutions are available; please contact Forge Europa's sales team for more information

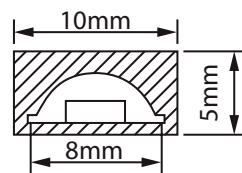
flexiLED - iced & iced xtra



Iced flexiLED gives you total peace of mind and allows you to create stunning lighting in the most demanding situations.

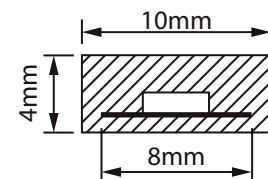
ICED

- 10.0mm x 5.0mm
- Up to 950 lm/m
- 5m length
- IP65
- Available 2400K – 6500K
- CRI: 80/90/95
- 12V/24V options



ICED XTRA

- 10.0mm x 4.0mm
- Up to 900 lm/m
- 5m length
- IP68
- Available 2400K – 6500K
- CRI: 80/90/95
- 12V/24V options



ICED

Part Number	Colour	CRI	Typ lumens/m	LEDs/m	Voltage Input	W/m	mA/m
FE-LF060NB12-865-S	6500K	80	950	60	12	9.6	800
FE-LF060NB12-840-S	4000K	80	900	60	12	9.6	800
FE-LF060NB12-827-S	2700K	80	790	60	12	9.6	800
FE-LF060NB12-965-S	6500K	90	800	60	12	9.6	800
FE-LF060NB12-940-S	4000K	90	770	60	12	9.6	800
FE-LF060NB12-927-S	2700K	90	670	60	12	9.6	800
FE-LF060NB12-U27-S	2700K	95	590	60	12	9.6	800

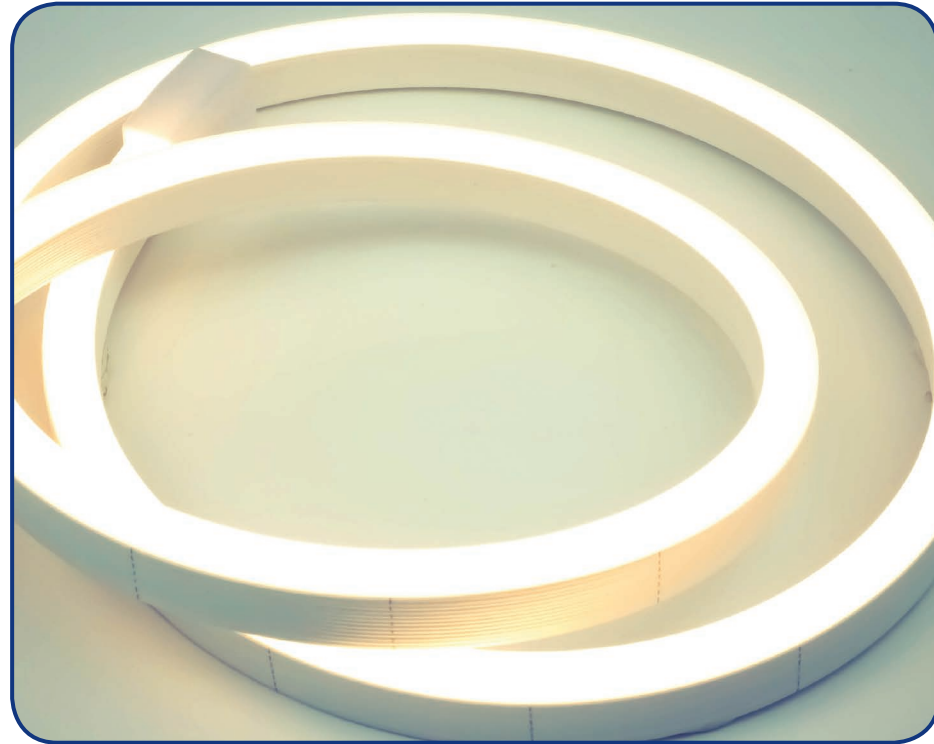
24V solutions are available; please contact Forge Europa's sales team for more information

ICED XTRA

Part Number	Colour	CRI	Typ lumens/m	LEDs/m	Voltage Input	W/m	mA/m
FE-LF060NB12-865-R	6500K	80	900	60	12	9.6	800
FE-LF060NB12-840-R	4000K	80	860	60	12	9.6	800
FE-LF060NB12-827-R	2700K	80	760	60	12	9.6	800
FE-LF060NB12-965-R	6500K	90	770	60	12	9.6	800
FE-LF060NB12-940-R	4000K	90	730	60	12	9.6	800
FE-LF060NB12-927-R	2700K	90	640	60	12	9.6	800
FE-LF060NB12-U40-R	4000K	95	650	60	12	9.6	800
FE-LF060NB12-U27-R	2700K	95	570	60	12	9.6	800

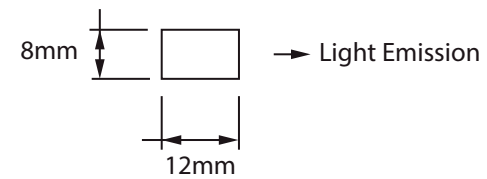
24V solutions are available; please contact Forge Europa's sales team for more information

flexiLED - iced ultra



Iced flexiLED gives you total peace of mind and allows you to create stunning lighting in the most demanding situations.

- Side emitting flexible LED product
- 12.0mm x 8.0mm
- Up to 510 lm/m
- 5m length
- IP67
- Available 2400K – 5000K
- CRI:80
- 24V input



Part Number	Colour	CRI	Typ lumens/m	LEDs/m	Voltage Input	W/m	mA/m
FE-LF182SE24CW-F	5000K	80	510	182	24	12.5	520
FE-LF182SE24NW-F	4250K	80	460	182	24	12.5	520
FE-LF182SE24WW-F	3000K	80	400	182	24	12.5	520
FE-LF182SE24UWW-F	2500K	80	360	182	24	12.5	520





clever light solutions



Forge Europa Limited. The Old Railway, Princes Street, Ulverston, Cumbria, LA12 7NQ United Kingdom

Tel: +44 (0) 1229 580000 **email:** sales@forge.co.uk **www:** forge.co.uk

No representation, warranty, responsibility or liability is or will be accepted by Forge Europa Limited in relation to the accuracy or completeness of any information it provides. It is the responsibility of the customer to verify the suitability of the product for its application. All design work supplied by Forge Europa Limited is to be assumed confidential and is the sole property of Forge Europa Limited. It must not be used, copied or disclosed to any third party without the prior written consent of Forge Europa Limited.. E&OE