

## Features:

- High segment intensity
- Wide viewing angle
- Range of colours
- Grey face colour
- White segment colour

## Available options:

- Alternative face and segment colour
- Alternative font
- Cropped terminal pins
- Alternative emitting colour
- Low current version

## Font design

Product not shown  
actual size



## Electro / Optical Characteristics - $I_F = 20 \text{ mA}$ ( \* HE Blue - $I_F = 10 \text{ mA}$ ) $T_a = 25^\circ \text{ C}$

Part Number Common Cathode	Part Number Common Anode	Emitting Colour	Wavelength Peak $\lambda_p$	Forward Voltage $V_F$		Luminous Intensity $I_V$	
				typical	max	min	typical
FN3-0565L00GW	FN3-0566L00GW	GaAlAs Red	660	1.85	2.00	-	25
FN3-0565300GW	FN3-0566300GW	HE Red	640	2.05	2.50	-	6
FN3-0565Y05300GW	FN3-0566Y05300GW	Yellow	591	2.05	2.40	-	37
FN3-0565200GW	FN3-0566200GW	Green	568	2.10	2.50	-	11
FN3-0565B0500GW	FN3-0566B0500GW	* HE Blue	465	3.70	4.00	-	8
FN3-0565B0100GW	FN3-0566B0100GW	Blue	428	3.80	4.50	-	5
Units			nm	V		mcd / seg. (digit average)	

## Maximum Ratings $T_a = 25^\circ \text{ C}$ ( Derate above $25^\circ \text{ C}$ )

Characteristic	Condition	Symbol	Rating	Units
Pulse Forward Current	0.1 duty cycle @ 1KHz ( HE Blue )	$I_{FP}$	100 (35)	mA
DC Forward Current	( HE Blue )	$I_F$	25 (15)	mA
Reverse Voltage	$I_R = 10 \mu\text{A}$	$V_R$	5	V
Operating Temperature		$T_{opr}$	- 25 to + 80	$^\circ \text{ C}$
Storage Temperature		$T_{stg}$	- 30 to + 85	$^\circ \text{ C}$
Lead soldering temperature	1.6 mm from body - max 3 seconds		260	$^\circ \text{ C}$

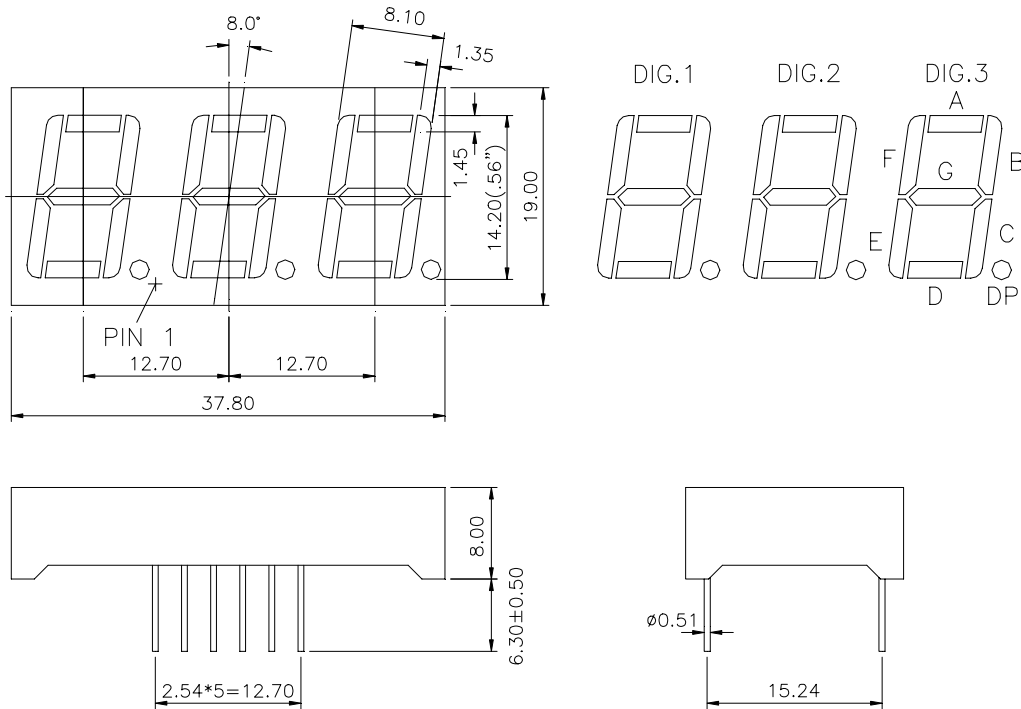
## Note

Industry standard procedures regarding static must be observed when handling product produced with blue die material.

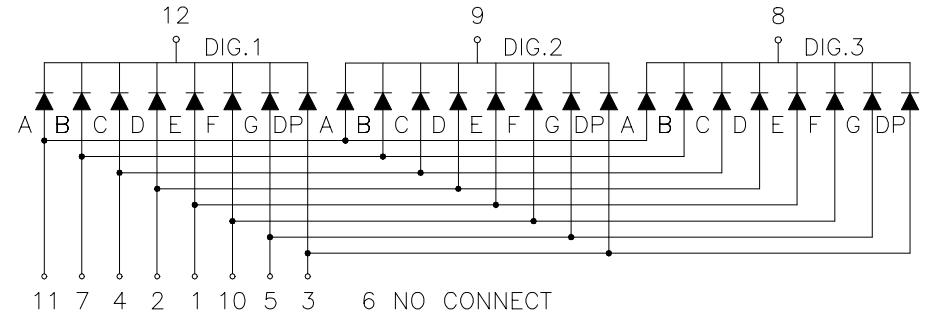
It is the responsibility of the customer to verify the suitability of the product for the application.



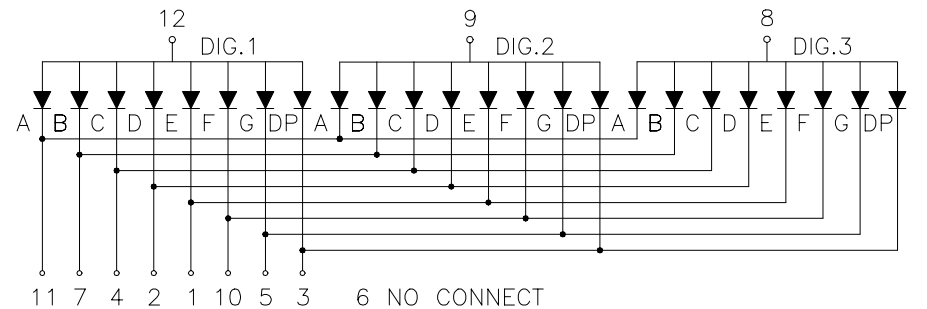
## Package Outline



## Common Cathode



## Common Anode



Tolerance  $\pm 0.25$  mm unless stated



Forge Limited The Old Railway, Princes Street, Ulverston, Cumbria, LA12 7NQ United Kingdom.  
Tel: +44 (0)1229 580000. Email: info@forge-europa.co.uk Website: www.forge-europa.co.uk

No representation, warranty, responsibility or liability is or will be accepted by Forge Europa Limited in relation to the accuracy or completeness of any information it provides. It is the responsibility of the customer to verify the suitability of the product for its application. All design work supplied by Forge Europa Limited is to be assumed confidential and is the sole property of Forge Europa Limited. It must not be used, copied or disclosed to any third party without the prior written consent of Forge Europa Limited. All contracts are subject to Forge Europa Limited's General Terms and Conditions of Trading which can be found at [www.forge-europa.co.uk](http://www.forge-europa.co.uk)