

Features:

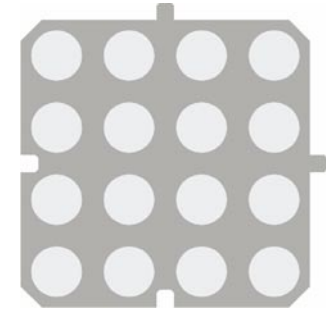
- High dot intensity
- Wide viewing angle
- Range of colours
- Grey face colour
- White dot colour

Available options:

- Alternative face and dot colour
- Cropped terminal pins
- Alternative emitting colour
- Low current version

Dot layout

Product not shown
actual size



Electro / Optical Characteristics - $I_F = 20 \text{ mA}$ (* HE Blue - $I_F = 10 \text{ mA}$) $T_a = 25^\circ \text{ C}$

Part Number Column Cathode	Part Number Column Anode	Emitting Colour	Wavelength Peak λ_P	Forward Voltage V_F		Luminous Intensity I_V	
				typical	max	min	typical
FND-9441L00GW	FND-9442L00GW	GaAlAs Red	660	5.55	6.00		160
FND-9441300GW	FND-9442300GW	HE Red	640	6.15	7.50		40
FND-9441Y05300GW	FND-9442Y05300GW	Yellow	591	6.15	7.20		240
FND-9441200GW	FND-9442200GW	Green	568	6.30	7.50		72
FND-9441B0500GW	FND-9442B0500GW	* HE Blue	465	11.10	12.00		52
FND-9441B0100GW	FND-9442B0100GW	Blue	428	11.40	13.50		32
Units			nm	V		mcd / dot (matrix average)	

Maximum Ratings $T_a = 25^\circ \text{ C}$ (Derate above 25° C)

Characteristic	Condition	Symbol	Rating	Units
Pulse Forward Current	0.1 duty cycle @ 1KHz (HE Blue)	I_{FP}	100 (35)	mA
DC Forward Current	(HE Blue)	I_F	25 (15)	mA
Reverse Voltage	$I_R = 10 \mu\text{A}$	V_R	5	V
Operating Temperature		T_{opr}	- 25 to + 80	$^\circ \text{ C}$
Storage Temperature		T_{stg}	- 30 to + 85	$^\circ \text{ C}$
Lead soldering temperature	1.6 mm from body - max 3 seconds		260	$^\circ \text{ C}$

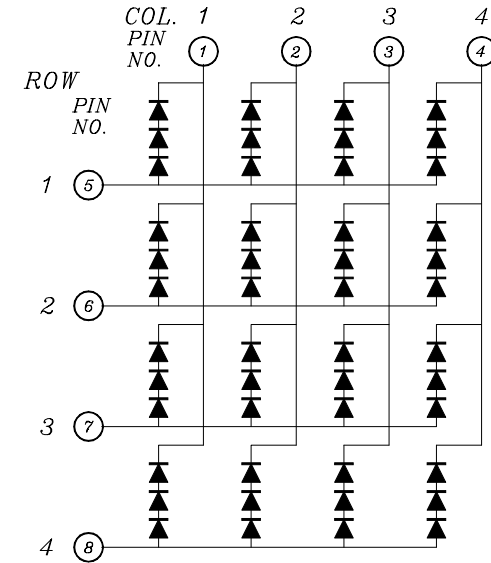
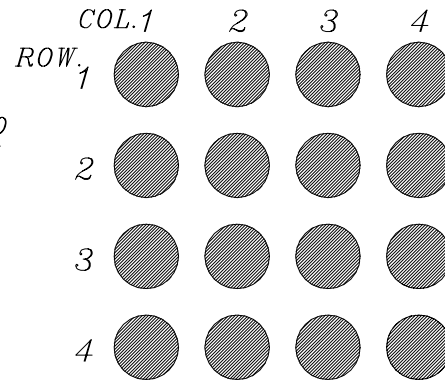
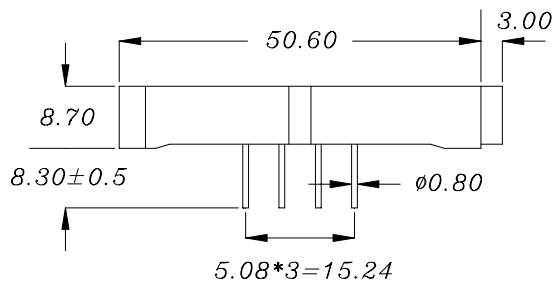
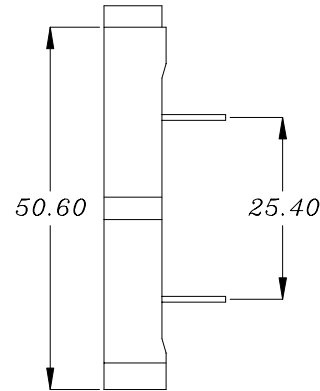
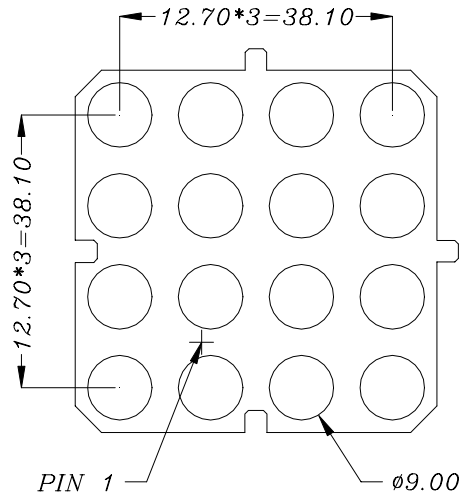
Note

Industry standard procedures regarding static must be observed when handling product produced with blue die material.

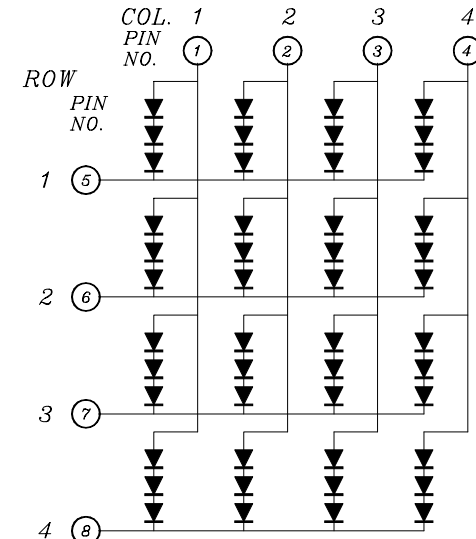


Package Outline

Column Cathode



Column Anode



Tolerance ± 0.25 mm unless stated



Forge Limited The Old Railway, Princes Street, Ulverston, Cumbria, LA12 7NQ United Kingdom.
Tel: +44 (0)1229 580000. Email: info@forge-europa.co.uk Website: www.forge-europa.co.uk

No representation, warranty, responsibility or liability is or will be accepted by Forge Europa Limited in relation to the accuracy or completeness of any information it provides. It is the responsibility of the customer to verify the suitability of the product for its application. All design work supplied by Forge Europa Limited is to be assumed confidential and is the sole property of Forge Europa Limited. It must not be used, copied or disclosed to any third party without the prior written consent of Forge Europa Limited. All contracts are subject to Forge Europa Limited's General Terms and Conditions of Trading which can be found at www.forge-europa.co.uk